

TANKS FOR THE STORAGE OF SOLUTIONS MODEL "SFI"

BULLMECH "SFI" storage tanks are designed to allow the storage of the mixture without the formation of lumps that generate significant problems in the subsequent stages of the process.

The presence of several mixing tools guarantees the quality of the material without deposits and / or separations between the liquid part and the solid part.

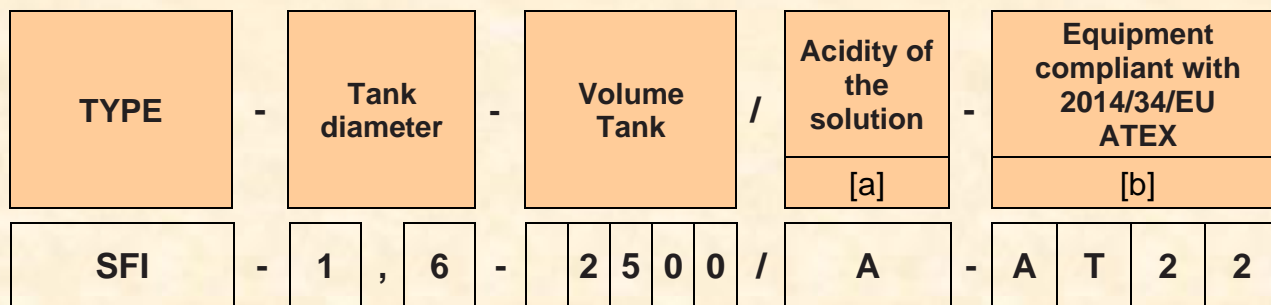
The tanks are all made of stainless steel (AISI 304 or AISI 316 depending on the ph of the preparation to be used) and are designed to allow easy cleaning and reduced maintenance.

Benefits:

- Corrosion resistance
(all components are in stainless steel)
- Excellent storage of the preparation
without deposits and / or separations
- Easy cleaning
- Reduced maintenance costs



CODE DEFINITION



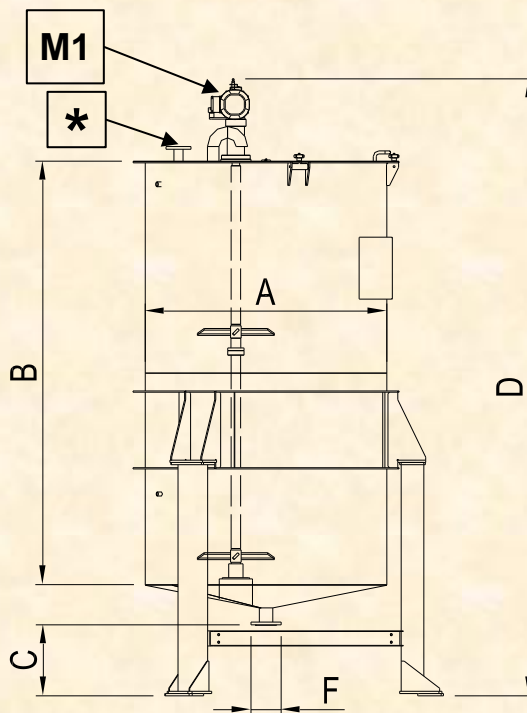
[a]: A = Solution with PH ≤ 3
 B = Solution with PH > 3

[b]: AT22 = ATEX classified area zone 22
 = Unclassified area (Omit)

TYPE	Usable tank volume	Internal diameters tank	Useful height tank	N ° of mixers	Mixer power	Approx weight
	[l]	[mm]	[mm]		[kW]	[kg]
SFI-0,8-500	500	800	1100	1	0,75	650
SFI-1,0-1000	1000	1000	1300	1	0,75	750
SFI-1,3-1500	1500	1300	1300	1	1,1	900
SFI-1,3-2000	2000	1300	1500	1	1,1	950
SFI-1,6-2500	2500	1600	1500	1	1,5	1000
SFI-1,6-3000	3000	1600	1700	1	2,2	1050
SFI-1,6-4000	4000	1600	2200	1	2,2	1100
SFI-1,6-5000	5000	1600	2800	1	3,0	1200
SFI-1,8-6000	6000	1800	2800	1	3,0	1300
SFI-2,0-7000	7000	2000	2500	1	3,0	1400
SFI-2,0-8000	8000	2000	2800	1	4,0	1600
SFI-2,2-9000	9000	2200	2500	1	4,0	1800
SFI-2,2-10000	10000	2200	2800	1	4,0	2000

*Example for order: **SFI-1,6-2500/A-AT22***

TANKS FOR THE STORAGE OF SOLUTIONS MODEL "SFI" - DATA SHEET -



TYPE	Usable tank volume	Internal diameters tank	Useful height tank	Height unloading from the ground	Total height	Discharge flange	Installed power	Approx weight
		A	B	C	D	F	M1	
	[l]	[mm]	[mm]	[mm]	[mm]	[mm]	[kW]	[Kg]
SFI-0,8-500	500	800	1100	0800	2700	DN 80 PN 16	0,75	650
SFI-1,0-1000	1000	1000	1300	800	2900	DN 80 PN 16	0,75	750
SFI-1,3-1500	1500	1300	1300	800	2900	DN 80 PN 16	1,1	900
SFI-1,3-2000	2000	1300	1500	800	3200	DN 80 PN 16	1,1	950
SFI-1,6-2500	2500	1600	1500	800	3200	DN 80 PN 16	1,5	1000
SFI-1,6-3000	3000	1600	1700	800	3400	DN 80 PN 16	2,2	1050
SFI-1,6-4000	4000	1600	2200	800	3650	DN 80 PN 16	2,2	1100
SFI-1,6-5000	5000	1600	2800	800	4250	DN 80 PN 16	3,0	1200
SFI-1,8-6000	6000	1800	2800	1000	4450	DN 100 PN 16	3,0	1300
SFI-2,0-7000	7000	2000	2500	1000	4150	DN 100 PN 16	3,0	1400
SFI-2,0-8000	8000	2000	2800	1000	4450	DN 150 PN 16	4,0	1600
SFI-2,2-9000	9000	2200	2500	1000	4150	DN 150 PN 16	4,0	1800
SFI-2,2-10000	10000	2200	2800	1000	4450	DN 150 PN 16	4,0	2000

(*) Supply flanges: *dimensions on customer request*