

# TANKS FOR THE PREPARATION OF SOLUTIONS MODEL “SPI”

BULLMECH “SPI” preparation tanks are designed to ensure maximum mixing efficiency without the formation of lumps which generate significant problems in the subsequent stages of the process.

The tanks are all made of stainless steel (AISI 304 or AISI 316 according to the pH of the preparation to be used) and are designed to allow easy cleaning and reduced maintenance.

They are also equipped with load cells that allow the weighing of the components being prepared with extreme precision and to have always the quantity of product inside it under control. In this way it is possible to set safety thresholds to avoid finishing the preparation and having to stop the process.

## Benefits:

- Corrosion resistance  
(all components are in stainless steel)
- Excellent mixing of the preparation  
and absence of lumps
- Easy cleaning
- Reduced maintenance costs



# CODE DEFINITION

TYPE			-	Tank diameter		-	Volume Tank			/	Acidity of the solution		-	Equipment compliant with 2014/34/EU ATEX				
											[a]			[b]				
S	P	I	-	1	,	6	-	2	5	0	0	/	A	-	A	T	2	2

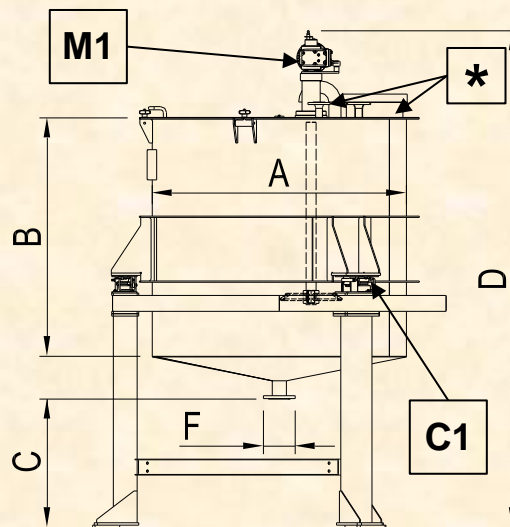
[a]: A = Solution with PH ≤ 3  
B = Solution with PH > 3

[b]: AT22 = ATEX classified area zone 22  
= Unclassified area (Omit)

TYPE	Usable tank volume	Internal diameter tank	Useful height tank	N° of mixers	Mixer power	Approx weight
	[l]	[mm]	[mm]		[kW]	[Kg]
SPI-0,8-500	500	800	1100	1	0,75	650
SPI-1,0-1000	1000	1000	1300	1	0,75	750
SPI-1,3-1500	1500	1300	1300	1	1,1	900
SPI-1,3-2000	2000	1300	1500	1	1,1	950
SPI-1,6-2500	2500	1600	1500	1	1,5	1000
SPI-1,6-3000	3000	1600	1700	1	2,2	1050
SPI-1,6-4000	4000	1600	2200	1	3,0	1100
SPI-1,6-5000	5000	1600	2800	1	3,0	1200
SPI-1,8-6000	6000	1800	2800	1	4,0	1300
SPI-2,0-7000	7000	2000	2500	1	5,5	1400
SPI-2,0-8000	8000	2000	2800	1	5,5	1600
SPI-2,2-9000	9000	2200	2500	1	7,5	1800
SPI-2,2-10000	10000	2200	2800	1	7,5	2000

Example for order: **SPI-1,6-2500/A-AT22**

# TANKS FOR THE PREPARATION OF SOLUTIONS MODEL "SPI" - DATA SHEET -



TYPE	Usable tank volume	Internal diameter tank	Useful height tank	Height unloading from the ground	Total height	Discharge flange	Load cells	Installed power	Approx weight
		A	B	C	D	F	C1	M1	
	[l]	[mm]	[mm]	[mm]	[mm]	[mm]	[mm]	[t]	[kW]
SPI-0,8-500	500	800	1100	800	2700	DN 80 PN 16	3x1,0	0,75	650
SPI-1,0-1000	1000	1000	1300	800	2900	DN 80 PN 16	3x1,0	0,75	750
SPI-1,3-1500	1500	1300	1300	800	2900	DN 80 PN 16	3x1,0	1,1	900
SPI-1,3-2000	2000	1300	1500	800	3200	DN 80 PN 16	3x2,2	1,1	950
SPI-1,6-2500	2500	1600	1500	800	3200	DN 80 PN 16	3x2,2	1,5	1000
SPI-1,6-3000	3000	1600	1700	800	3400	DN 80 PN 16	3x2,2	2,2	1050
SPI-1,6-4000	4000	1600	2200	800	3650	DN 80 PN 16	3x2,2	3,0	1100
SPI-1,6-5000	5000	1600	2800	800	4250	DN 80 PN 16	3x4,7	3,0	1200
SPI-1,8-6000	6000	1800	2800	1000	4450	DN 100 PN 16	3x4,7	4,0	1300
SPI-2,0-7000	7000	2000	2500	1000	4150	DN 100 PN 16	3x4,7	5,5	1400
SPI-2,0-8000	8000	2000	2800	1000	4450	DN 150 PN 16	3x4,7	5,5	1600
SPI-2,2-9000	9000	2200	2500	1000	4150	DN 150 PN 16	3x4,7	7,5	1800
SPI-2,2-10000	10000	2200	2800	1000	4450	DN 150 PN 16	3x4,7	7,5	2000

(\* ) Supply flanges and inlets: *dimensions on customer request*