

# EXTRACTION BINS “DBB”

The extraction bunkers model "DBB" BULLMECH, are designed for the storage and extraction of various types of materials to be sent to the production processes.

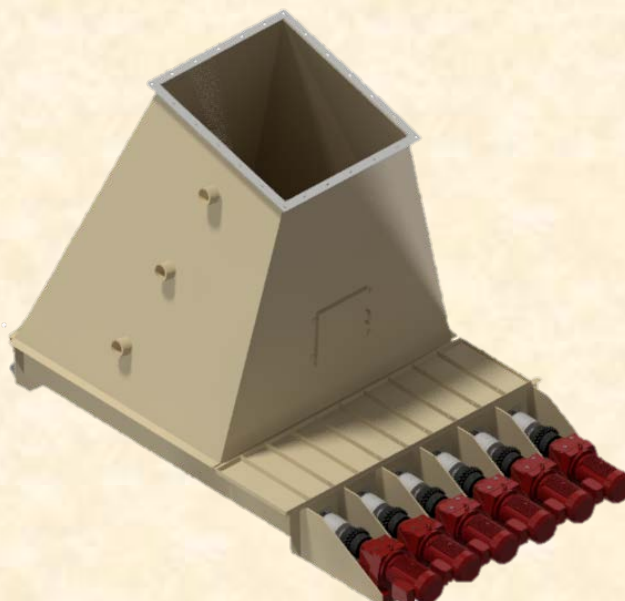
The DBB extraction bunkers are composed of a sheet metal container for the storage of the material and a series of motorized augers placed in the lower part. The latter extract the material inside the container and dose it both volumetrically and, on request, gravimetrically, to the production process.

The DBB extraction bunkers can also be made in "armoured" version to extract all those particularly abrasive materials, guaranteeing a significant increase in the life of the components.

The peculiarity of the construction of the DBB extraction bunkers and the precise dosage of the material during extraction, guarantee high quality standards in all phases of the process.

## Specifications:

- Robust construction that allows it to be used even with abrasive materials;
- Dedicated auger motorization for maximum extraction flexibility;
- Different sizes available and the possibility of creating dedicated machines according to specific customer requests;
- Installation also in ATEX zone 22 classified environments.



# DEFINITION OF CODE

<b>MODEL</b>			-	<b>N° Screws</b> [pz]	-	<b>Screw diameter</b> [mm]			-	<b>Equipment compatible with</b> <b>2014/34/UE ATEX</b> [a]			
<b>D</b>	<b>B</b>	<b>B</b>	-	<b>4</b>	-	<b>3</b>	<b>5</b>	<b>0</b>	-	<b>A</b>	<b>T</b>	<b>2</b>	<b>2</b>

[a]: AT21 = Outdoor area classified ATEX zone 21  
 AT22 = Outdoor area classified ATEX zone 22  
 = Unclassified outdoor area (Omit)

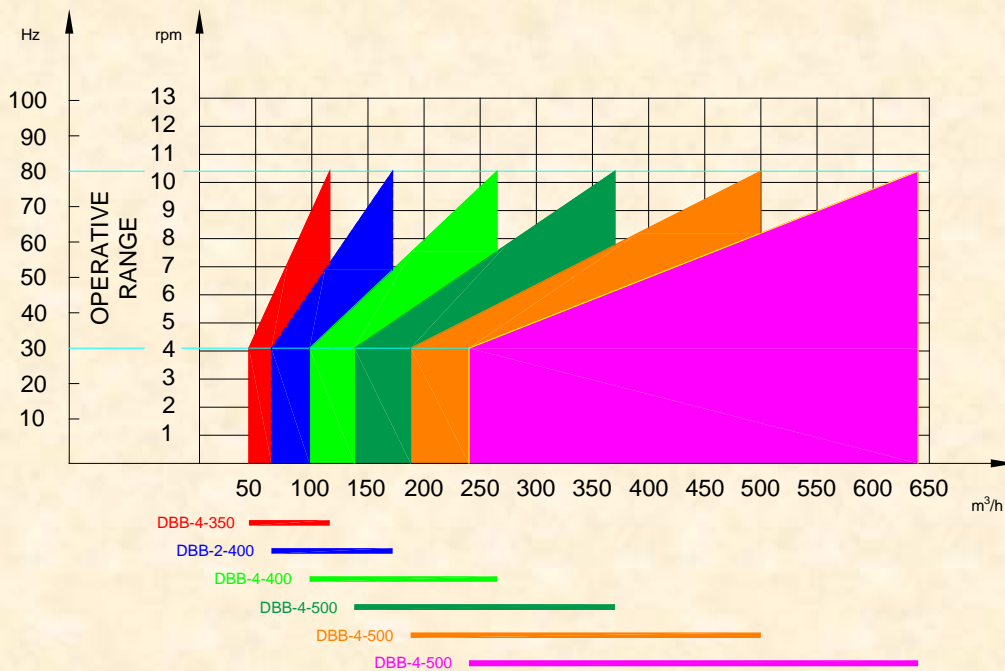
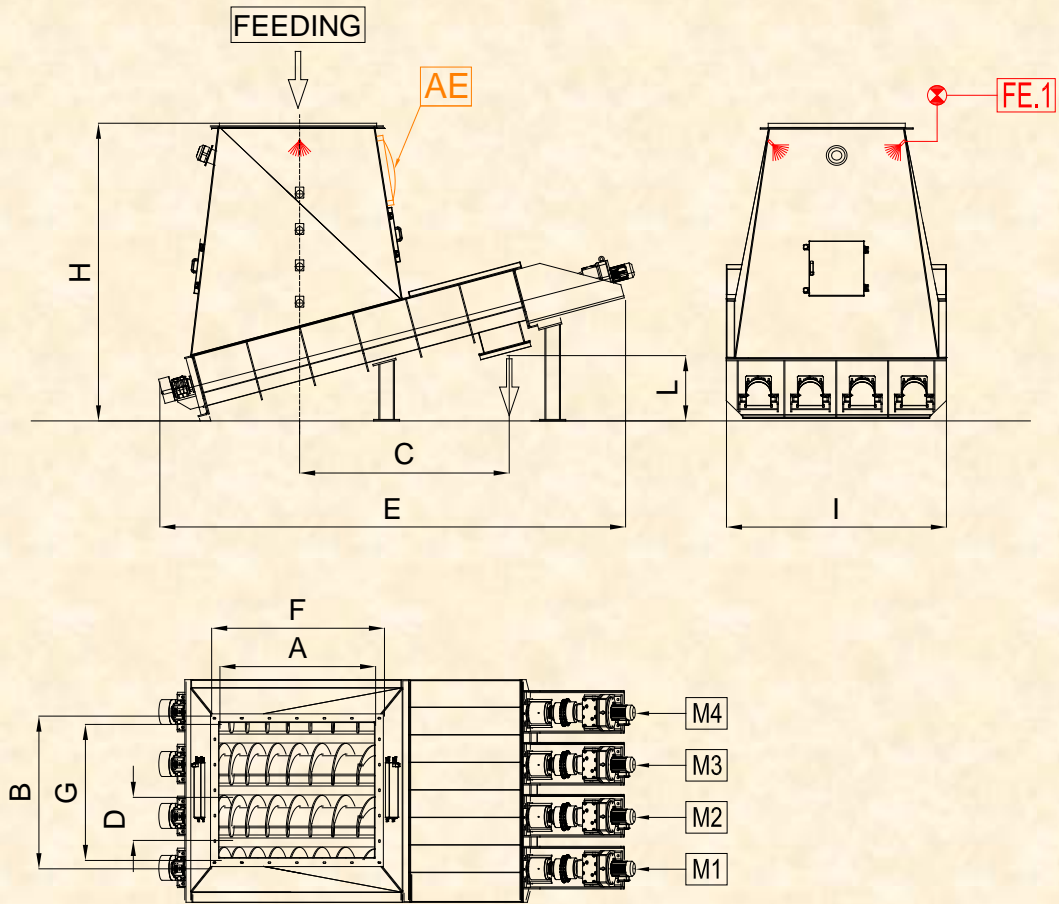
<b>MODEL</b>	<b>Internal volume</b>	<b>N° Screws</b>	<b>Screws diameter</b>	<b>Power installed</b> (*)	<b>Weight</b>
	[m <sup>3</sup> ]	[pz]	[mm]	[Kw]	[kg]
<b>DBB-4-350</b>	5	4	350	4 x 9,2	9.000
<b>DBB-2-400</b>	5	2	400	2 x 9,2	4.500
<b>DBB-4-500</b>	30	4	500	4 x 9,2	10.000
<b>DBB-4-500(**)</b>	30	4	500	4 x 11,0	13.000
<b>DBB-4-500</b>	50	4	500	4 x 18,5	18.000
<b>DBB-4-500</b>	60	4	500	4 x 22,0	20.000

(\*) In accordance with the treated material

(\*\*) For dry material

Example for order: **Contact Bullmech to define the Machine**

# EXTRACTION BINS "DBB" - DATA SHEET -



## EXTRACTION BINS “DBB” - DATA SHEET -

MODEL	GENERAL DIMENSION										INSIDE VOLUME	EXTRACTION CAPACITY	INSTALED POWER	FIREFIGHTING SYSTEM (*)	ANTI-EXPLOSION PANELS (***)
	[mm]														
	A	B	C	D	E	F	G	H	I	L			M1-M4	FE.1	AE
<b>DBB-4-350</b>	1.500	1.470	2.000	350	4.500	1.665	1.300	2.820	2.120	630	5	SEE DIAGRAM	4 x 9,2	160	1
<b>DBB-2-400</b>	2.300	1.000	2.400	400	4.500	2.250	1.000	3.300	1.000	1.000	5		2 x 9,2	160	1
<b>DBB-4-500</b>	3.850	2.500	3.350	500	7.250	1.600	1.600	5.600	4.200	1.630	30		4 x 9,2	240	1
<b>DBB-4-500</b>	3.650	1.600	3.685	500	8.300	1.200	1.400	5.400	2.400	1.450	30		4 x 11,0	240	1
<b>DBB-4-500</b>	3.850	2.500	3.350	500	7.250	1.500	1.500	5.600	4.200	1.630	50		4 x 18,5	320	1
<b>DBB-4-500</b>	3.850	2.500	3.350	500	7.250	1.500	1.500	5.600	4.200	1.630	60		4 x 22,0	320	1

(\*) Optional explosion protection system for dry material.

(\*\*) Optional explosion protection for dry material.