

TRANSLATING SCREW EXTRACTOR "TSB"

BULLMECH "TSB" translating screw extractors are designed to extract different types of material safely and effectively.

BULLMECH "TSB" translating screw extractors are used inside rectangular silos and allow the lateral extraction of the material along the entire length, ensuring complete emptying

The extraction takes place by means of a variable pitch screw immersed in the material, which, by means of a gearmotor, transports the material to the outside of the silo. A motorized trolley acting on special racks, allows the translation of the auger and consequently the extraction of the material along the entire length of the silo.

The "TSB" BULLMECH "TSB" screw extractors are an effective and economical solution and guarantee maximum simplicity of maintenance without the need to empty the silo even to perform extraordinary maintenance, as all the mechanical part is placed in an accessible area of the outside.

Specifications:

- Maximum reliability and robustness;
- Easy maintenance with cost reduction;
- Different types of products able to satisfy all customer requests;
- Installation also in ATEX zone 22 classified environments;



DEFINITION OF CODE

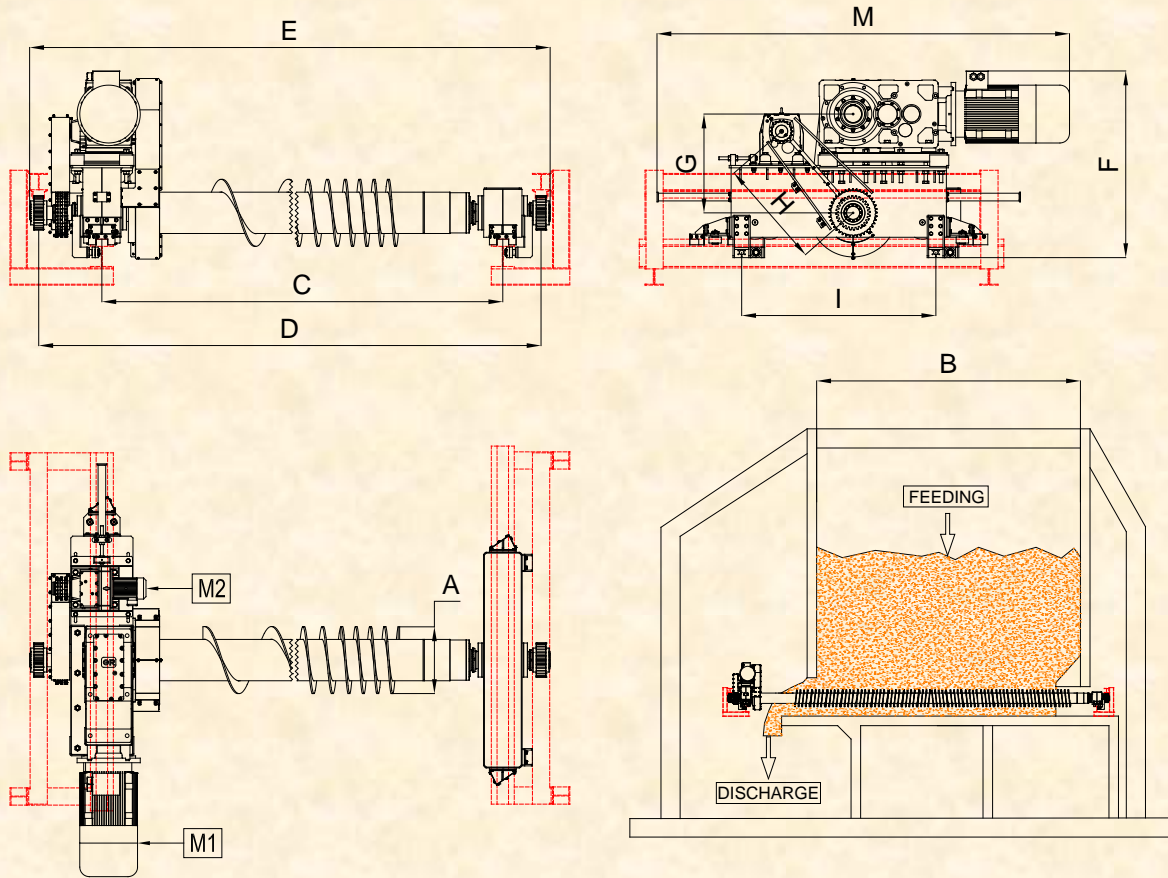
MODEL	-	Screw diameter [mm]	-	internal width silo [mm]	-	Equipment compatible with 2014/34/UE ATEX [a]
T S B	-	9 0 0	-	0 7 5 0 0	-	A T 2 2

[a]: AT21 = Outdoor area classified ATEX zone 21
 AT22 = Outdoor area classified ATEX zone 22
 = Unclassified outdoor area (Omit)

MODEL	Extraction capacity	Screw diameter	Internal width silo	Installed Power	Weight approx.
	[m ³]	[mm]	[mm]	[Kw]	[kg]
TSB-600-6.000	Depending on the layout and customer's needs	600	6.000	Depending on the layout and customer's needs	9.700
TSB-600-7.500		600	7.500		12.200
TSB-600-10.000		600	10.000		16.200
TSB-700-6.000		700	6.000		10.000
TSB-700-7.500		700	7.500		13.000
TSB-700-10.000		700	10.000		16.500
TSB-800-6.000		800	6.000		10.000
TSB-800-7.500		800	7.500		13.000
TSB-800-10.000		800	10.000		17.000
TSB-900-6.000		900	6.000		10.500
TSB-900-7.500		900	7.500		13.000
TSB-900-10.000		900	10.000		17.500

Example for order: **Contact Bullmech to define the Machine**

TRASLATING SCREW EXTRACTION "TSB" - DATA SHEET -



MODEL	GENERAL DIMENSION											INSTALLED POWER	EXTRACTION CAPACITY
	[mm]												
	A	B	C	D	E	F	G	H	I	L	M	M1-M2	
TSB-600-6.000	600	6.000	9.500	10.500	11.000	1.950	1.050	1.150	2.050	4.000	4.500	Depending on the layout and customer's needs	
TSB-600-7.500	600	7.500	11.000	12.200	12.500	1.950	1.050	1.150	2.050	4.000	4.500		
TSB-600-10.000	600	10.000	13.300	14.500	15.000	1.950	1.050	1.150	2.050	4.000	4.500		
TSB-700-7.500	700	7.500	11.000	12.200	12.500	1.950	1.050	1.150	2.050	4.000	4.500		
TSB-700-10.000	700	10.000	13.300	14.500	15.000	1.950	1.050	1.150	2.050	4.000	4.500		
TSB-800-6.000	800	6.000	9.500	11.000	11.000	1.950	1.050	1.150	2.050	4.000	4.500		
TSB-800-7.500	800	7.500	11.000	12.200	12.500	1.950	1.050	1.150	2.050	4.000	4.500		
TSB-800-10.000	800	10.000	13.300	14.500	15.000	1.950	1.050	1.150	2.050	4.000	4.500		
TSB-900-6.000	900	6.000	9.500	11.000	11.000	1.950	1.050	1.150	2.050	4.000	4.500		
TSB-900-7.500	900	7.500	11.000	12.200	12.500	1.950	1.050	1.150	2.050	4.000	4.500		
TSB-900-10.000	900	10.000	13.300	14.500	15.000	1.950	1.050	1.150	2.050	4.000	4.500		