

AUTOLOADER TRAYS MODEL "AVA"

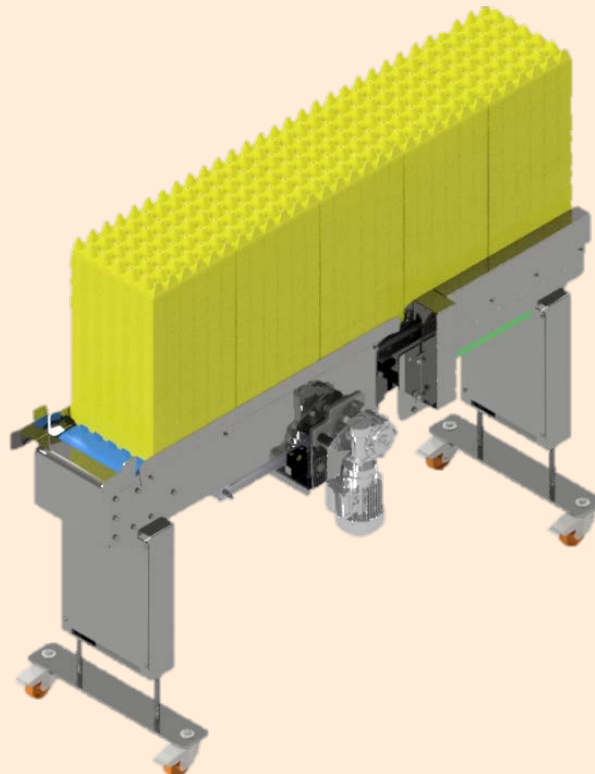
The "AVA" automatic tray loaders are designed to be inserted into all sorting and/or palletizing lines to increase the efficiency of the system and minimize manual intervention by the operator in loading trays.

In the sorting lines, in fact, the operator must constantly manually load the trays in the small warehouse present in the machine. With the automatic loader "AVA" the trays are fed automatically. The operator will have to load only once or twice a day(*) with considerable time savings.

"AVA" automatic loaders are therefore recommended for those breeders who want to optimize and automate existing lines, almost completely eliminating operator intervention.

Benefits:

- Drastic reduction of intervention by the operator during activities;
- Can be inserted into any type of existing machine;
- Greater automation of the line;
- Minimum economic investment;
- Reduced energy costs;
- Very low maintenance costs;
- Maximum hygiene because the machine is made entirely of AISI 304 steel (stainless steel);



(*) It depends on the length of the chosen storage and the productivity of the packer



CODE DEFINITION

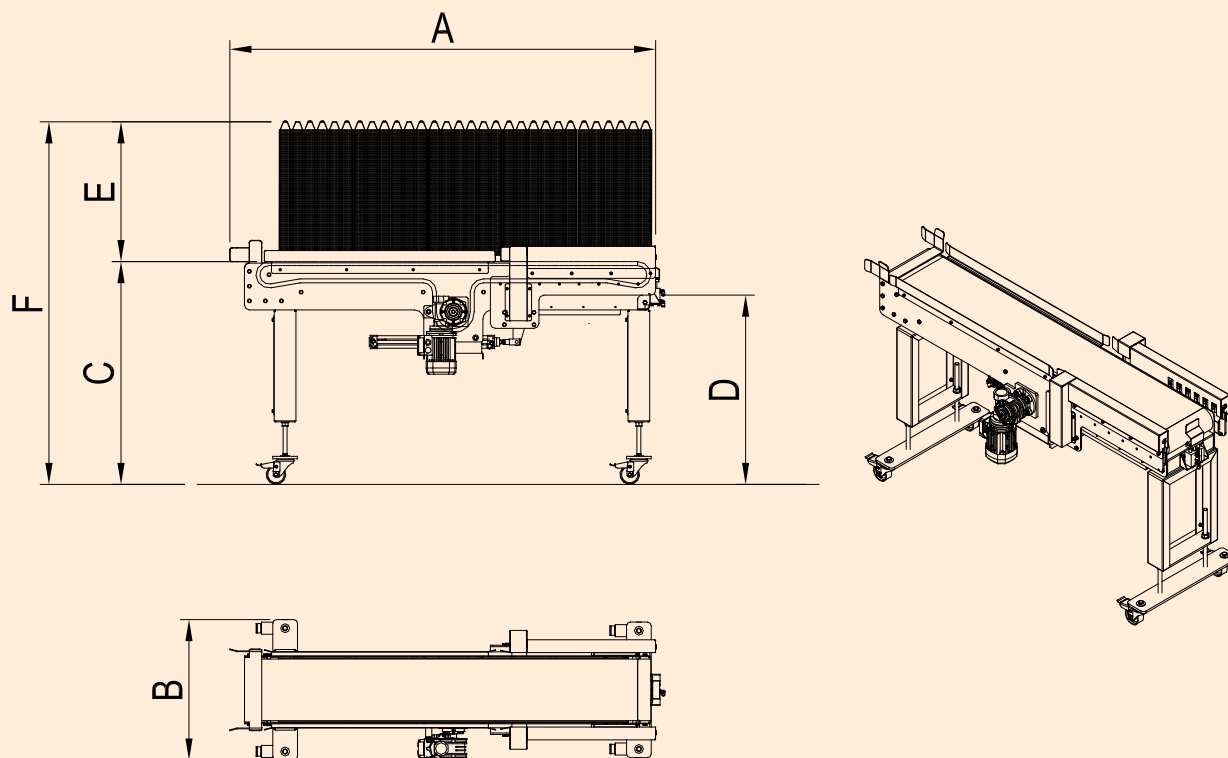
MODEL			Max storage capacity	-	Type of tray (*)		/	Mains voltage			/	Mains frequency		/	Reference electrical standards		
A	V	A	500	-	P	R	/	4	1	5	/	5	0	/	I	E	C

(*) PR = rigid plastic tray
PC = cardboard pulp tray

MODEL	Max storage capacity	Type of tray	Installed power	Mains voltage	Mains frequency	Reference electrical standards	Minimum compressed air pressure	Maximum compressed air consumption	Weight approx. without trays
	[pz]								
AVA 300 - PR	300	Plastica rigida	0,18	380/415	50/60	IEC / UL	5,0	40	100
AVA 400 - PR	400		0,18						110
AVA 500 - PR	500		0,18						120
AVA 600 - PR	600		0,25						135
AVA 700 - PR	700		0,25						150
AVA 800 - PR	800		0,37						165
AVA 1000 - PR	1.000		0,37						190
AVA 300 - PC	300	Polpa di cartone	0,18	380/415	50/60	IEC / UL	5,0	40	100
AVA 400 - PC	400		0,18						110
AVA 500 - PC	500		0,18						120
AVA 600 - PC	600		0,25						135
AVA 700 - PC	700		0,25						150
AVA 800 - PC	800		0,37						165
AVA 1000 - PC	1.000		0,37						190

Example by order: **AVA 500-PR/415/50/IEC**

AUTOLOADER TRAYS MODEL "AVA"



MODEL	GENERAL DIMENSIONS [mm]						Installed power [kW]	Weight approx. without trays [kg]
	A	B	C	D	E	F (*)		
AVA 300 - PR	1.130	570	904 ± 115	768 ± 115	Max. 570	1.474 ± 115	0,18	100
AVA 400 - PR	1.430						0,18	110
AVA 500 - PR	1.730						0,18	120
AVA 600 - PR	2.030						0,25	135
AVA 700 - PR	2.330						0,25	150
AVA 800 - PR	2.630						0,37	165
AVA 1000 - PR	3.230						0,37	190
AVA 300 - PC	1.130						0,18	100
AVA 400 - PC	1.430						0,18	110
AVA 500 - PC	1.730						0,18	120
AVA 600 - PC	2.030	0,25	135					
AVA 700 - PC	2.330	0,25	150					
AVA 800 - PC	2.630	0,37	165					
AVA 1000 - PC	3.230	0,37	190					